



### Description

Sensor detecting water through 4 gold-plated supporting feet. It is normally used for the protection against the flooding of computing centres, boiler rooms, offices, laboratories, etc. It cannot be used with inflammable liquids.

Version 1450-CSA, available with 12 or 24 Vdc power supply, is equipped with changeover relay output to control telephone combiners, alarm sirens, etc.

In addition, it can be connected to several external probes 1450-S-CSA (up to 10).

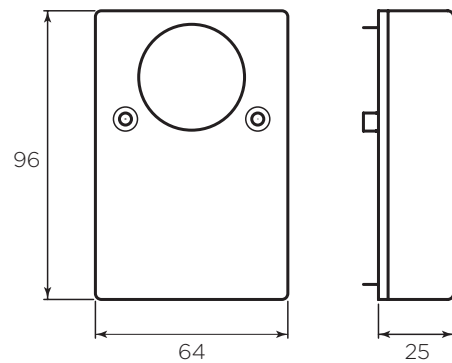
For higher protection, it is also equipped with a moisture detector, whose sensitivity can be regulated with internal trimmer. Version with 24 Vac power supply is available.

- > Compact dimensions
- > Detection of water and moisture
- > Terminal connection
- > 1450 with relay output



### General specifications

Housing material	Thermoplastic, colours according to table
Operation	Detection of resistance between feet and internal coil
Type of connection	Terminals (2 for external feelers, 2 for power supply, 3 for relay output)
Operating temperature	+5°C ÷ +50°C
IP Degree	IP 40
Packaging	2 pc. / package



### Order codes

Code	Power supply voltage	Max. Current draw	Relay power	Colour	Package weight	Notes
1450-CSA	12/24 Vdc	30 mA	Changeover relay max 1 A, 30 Vdc	White	0,16 Kg	Can be connected to external probes code 1450-S-CSA
1450-24Vac	24 Vac	30 mA	Changeover relay max 1 A, 30 Vdc	White	0,16 Kg	Can be connected to external probes code 1450-S-CSA
1450-S-CSA					0,14 Kg	External probe for 1450